

TORNADO

Tornado is a powered extract ventilator designed to deal with localised air quality and overheating problems as well as to provide general comfort control. It has a lightweight low silhouette cowl and is suited to most industrial and commercial buildings.



OPTIONS

Options available are:

- 630mm and 800mm nominal fan sizes.
- Low noise option for 630mm units.
- High flow option for the 800mm version providing best extract performance.
- An Export version (60Hz).

All units are made from lightweight, corrosion resistant aluminium.

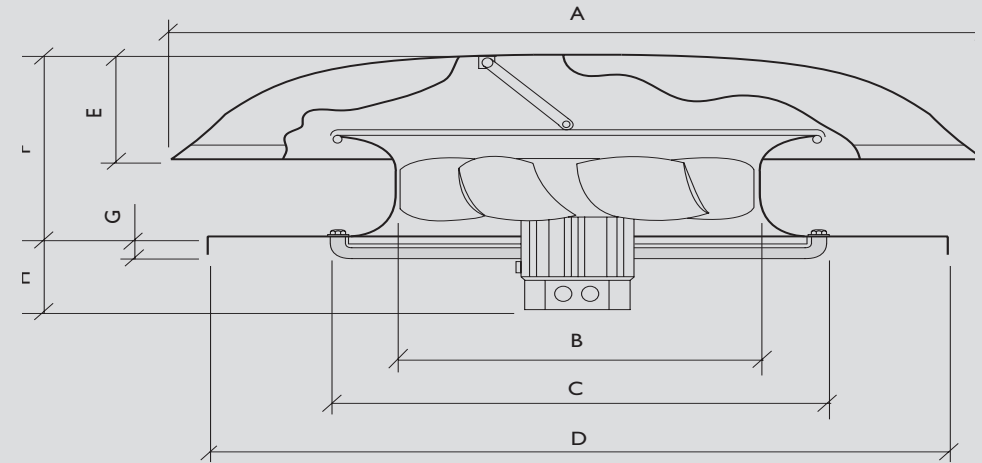
A non-return shutter opens when the fan is in use and closes when the fan stops. (this is not available for the Export versions).

Tornado is available as mill finish or with a polyester powder coating to a RAL colour.

INSTALLATION

The ventilator can be orientated at any angle from the horizontal to the vertical (this is restricted to 35° from the horizontal with the shuttered version). Its wide range of base types and the fact that it is lightweight means that it can be installed into nearly any type of roof or wall structure.

The 630mm unit can be installed directly into glazing.



Dimensions (mm) for the non-Export versions

Base type	Curb	Curb	Sheeting	Sheeting
Unit size	630	800	630	800
Dim A	1400	1750	1400	1750
B	634	803	634	803
C	855	1046	855	1046
D	1200	1200	1250	1250
E	180	334	180	334
F	300	494	300	494
G	25	25	-	-
H	160	240	160	240

Performance data and weights

Size	630L	630H	800H	630E	800E
	Low noise 50Hz	Standard 50Hz	Standard 50Hz	Export 60Hz	Export 50Hz
Fan nom size (mm)	630	630	800	630	800
Power supply (V/Ph/Hz.)	380-420/3/50	380-420/3/50	380-420/3/50	380/3/60	380/3/60
Airflow (m3/s)	2.7	3.8	5.5	2.4	5.6
RPS	16	23	16	17	19
Sound power level LwA	75.0	81.0	83.0	74.0	79.5
Power (kW)	1.15	1.15	1.55	0.75	1.7
FLC (A)	3.2	3.2	4.1	2.3	3.6
SC (A)	11	11	17	4.4	19
PF	0.73	0.73	0.72	0.87	0.68
Wiring	Δ / Y	Δ / Y*	Δ	Δ / Y*	Δ / Y*
Weight (kg)	34	34	65	34	65

* Motor suitable for inverter control by an approved manufacturer. Protection class IP 55. Insulation class F.